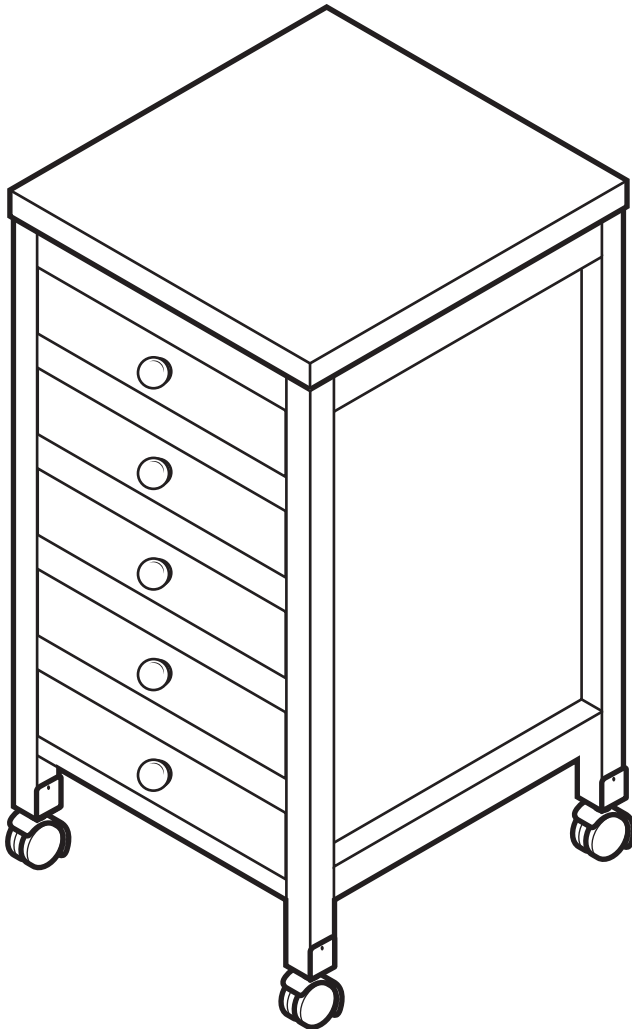
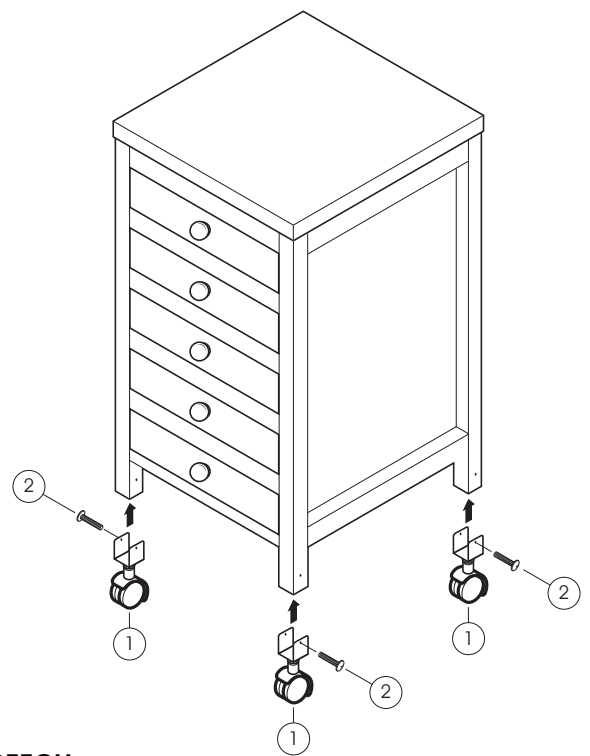


THANK YOU FOR PURCHASING OUR STUDIO RTA AMERICANA TABORET

Studio
RTA
READY TO ASSEMBLE®
INSPIRING CREATIVITY



1. SLIDE CASTERS (1) OVER LEGS AS SHOWN.
2. INSERT PHILLIPS BOLT (2) THROUGH PLATE.



35346 NATURAL • 35347 BEECH

IF YOU REQUIRE ANY ASSISTANCE WITH ASSEMBLY, PARTS, OR INFORMATION
ON OTHER PRODUCTS, PLEASE VISIT OUR WEBSITE: www.studiorta.com OR CALL OR WRITE THE FOLLOWING:

7255 ROSEMEAD BLVD • PICO RIVERA, CA 90660
PRODUCT SUPPORT: (800) 445-1527 (7:00 - 5:00 PST)
FOR LOCAL CALLS: (562) 446-2255 • FAX (562) 446-2277

LIMITED WARRANTY

Studio RTA (the "Company") warrants to the original purchaser that this product will be free from defects in its workmanship and materials, under normal residential use and service conditions, as described herein. The Company will repair or replace, at its option, without charge to the original purchaser only, the defective product or parts for a period of ten (10) years (or Thirty (30) days on closeouts and discounted products) from the date of purchase and while owned by the original purchaser. This warranty shall be effective for the applicable time period beginning from date of purchase as shown on your original sales receipt. Replacement parts can only be supplied if parts are available. Items out of production may be unavailable. The Company's obligation under this warranty is limited to repairing or replacing products or parts as provided herein. This product has been designed for and is intended for residential use only. This warranty is original purchaser's sole remedy for product defects, and this warranty does not extend to any product, or damage to any product, caused by or attributable to abuse or misuse, products used for commercial or rental purposes, use modification of, or attachments to the product, and products or parts not used, maintained, or installed in accordance with the company's installation, maintenance and/or applicable guidelines. The warranty extended hereunder is in lieu of any and all other warranties, express or implied, including without limitation any implied warranty of merchantability or of fitness for a particular purpose. The company will not be responsible for indirect, special, incidental or consequential damages. Some states do not allow the exclusion or limitation of incidental or consequential damages, so the above limitations or exclusions may not apply to you. This warranty gives you specific legal rights. You may also have other rights which may vary from state to state. The company will advise you of the procedure to follow in making warranty claims. Telephone Studio RTA at (562) 446-2255 to explain the defect and give your name, address, and telephone number. Please be prepared with the model number of the product, date and place of purchase. If you require any assistance with assembly or parts please visit our website: www.studiorta.com.